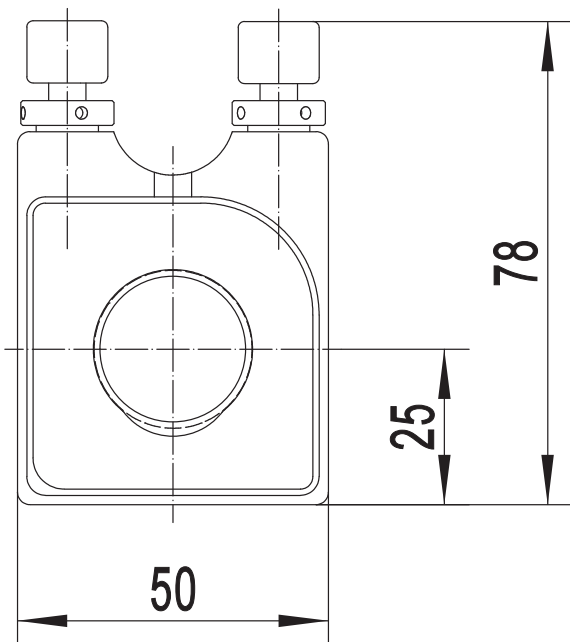
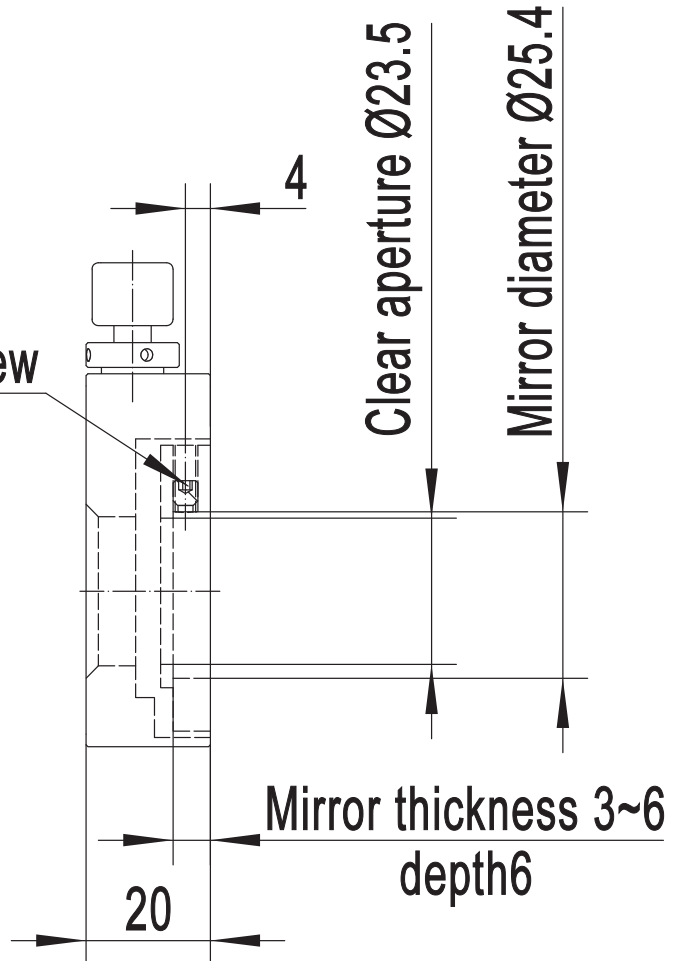


M6 depth8

2xM4 depth6



M4 screw



Clear aperture  $\text{Ø}23.5$

Mirror diameter  $\text{Ø}25.4$

Mirror thickness 3~6  
depth6